

**TITLE : DIGITAL STRIP CUTTER**

**MODEL : SEC-100 (COLD KNIFE)**

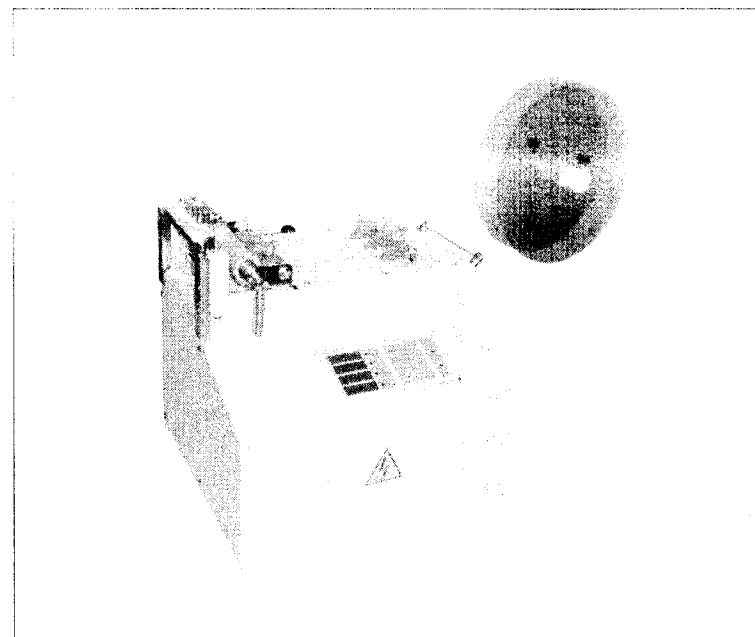
ASSEMBLING DRAWING PARTS LIST

1 Page : BED / SLIDER PARTS

2 Page : ROLLER PARTS

3 Page : BASE COVER PARTS

4 Page : CONTROL BOX PARTS



Company Name : **SANG WON PRECISION CO., Ltd.**

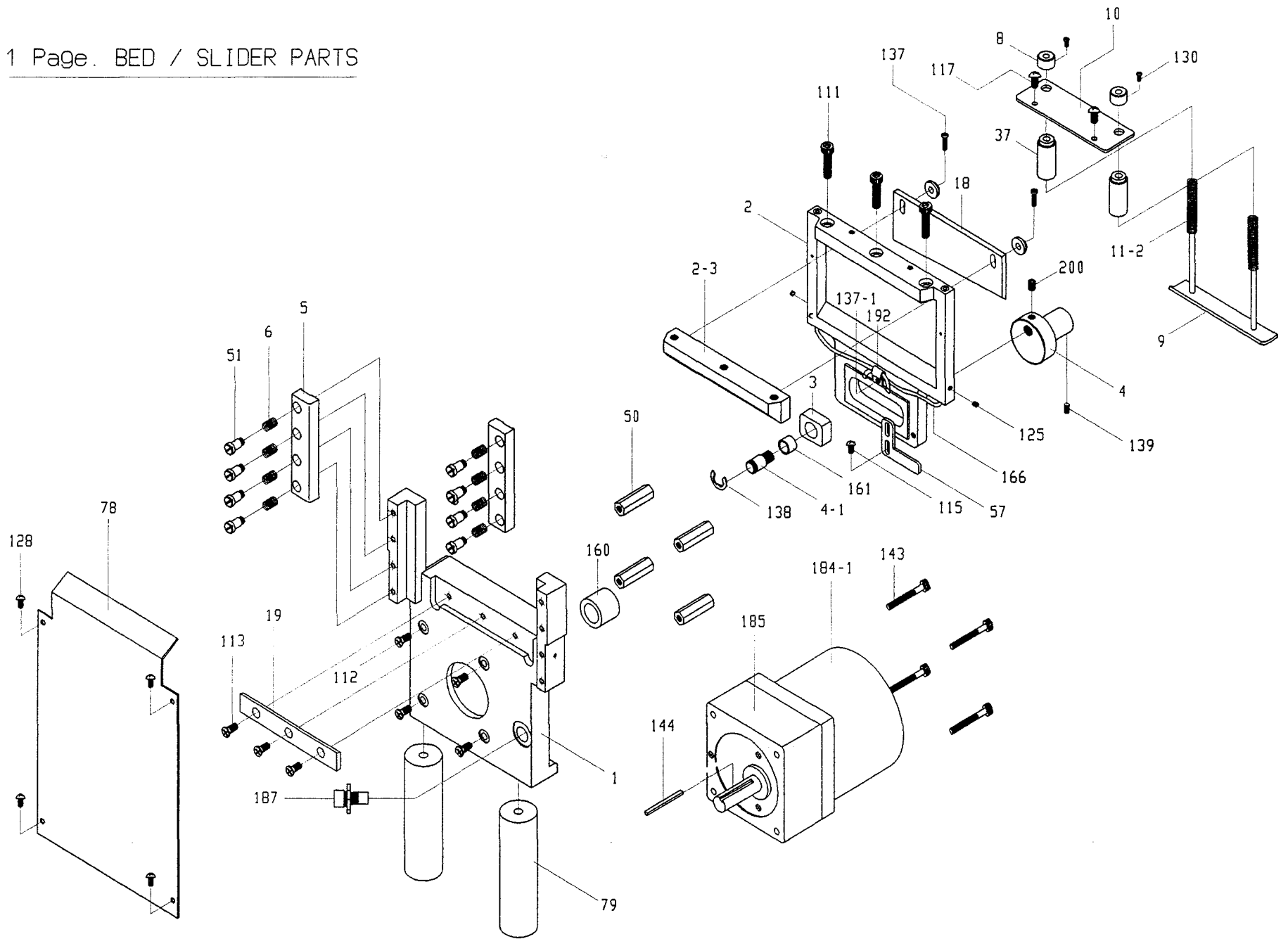
Address : #75-8, MORA 3DONG, SASANG GU, PUSAN, KOREA

TEL. : 82-51-301-3688

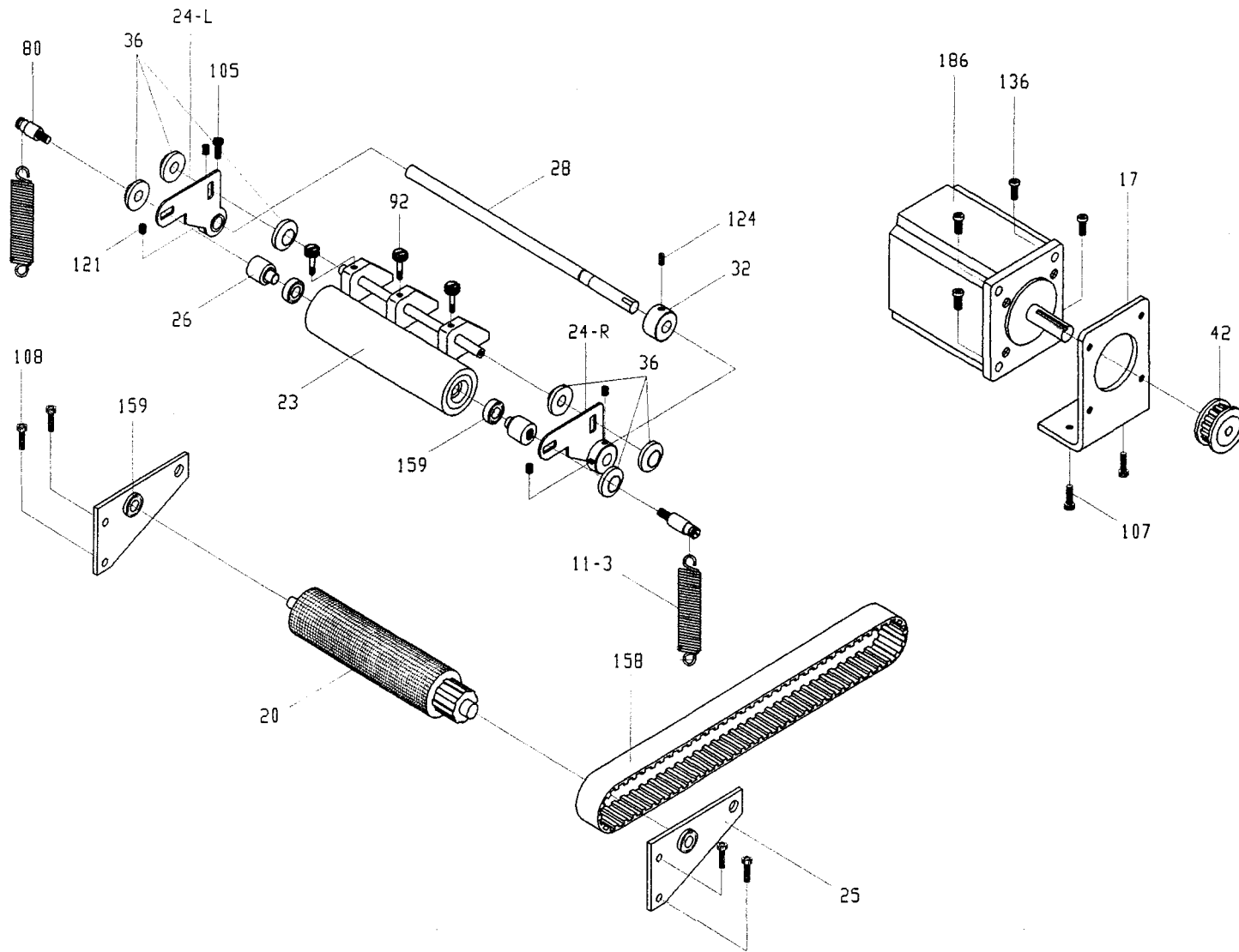
FAX : 82-51-301-8138

<http://www.A2000.co.kr>

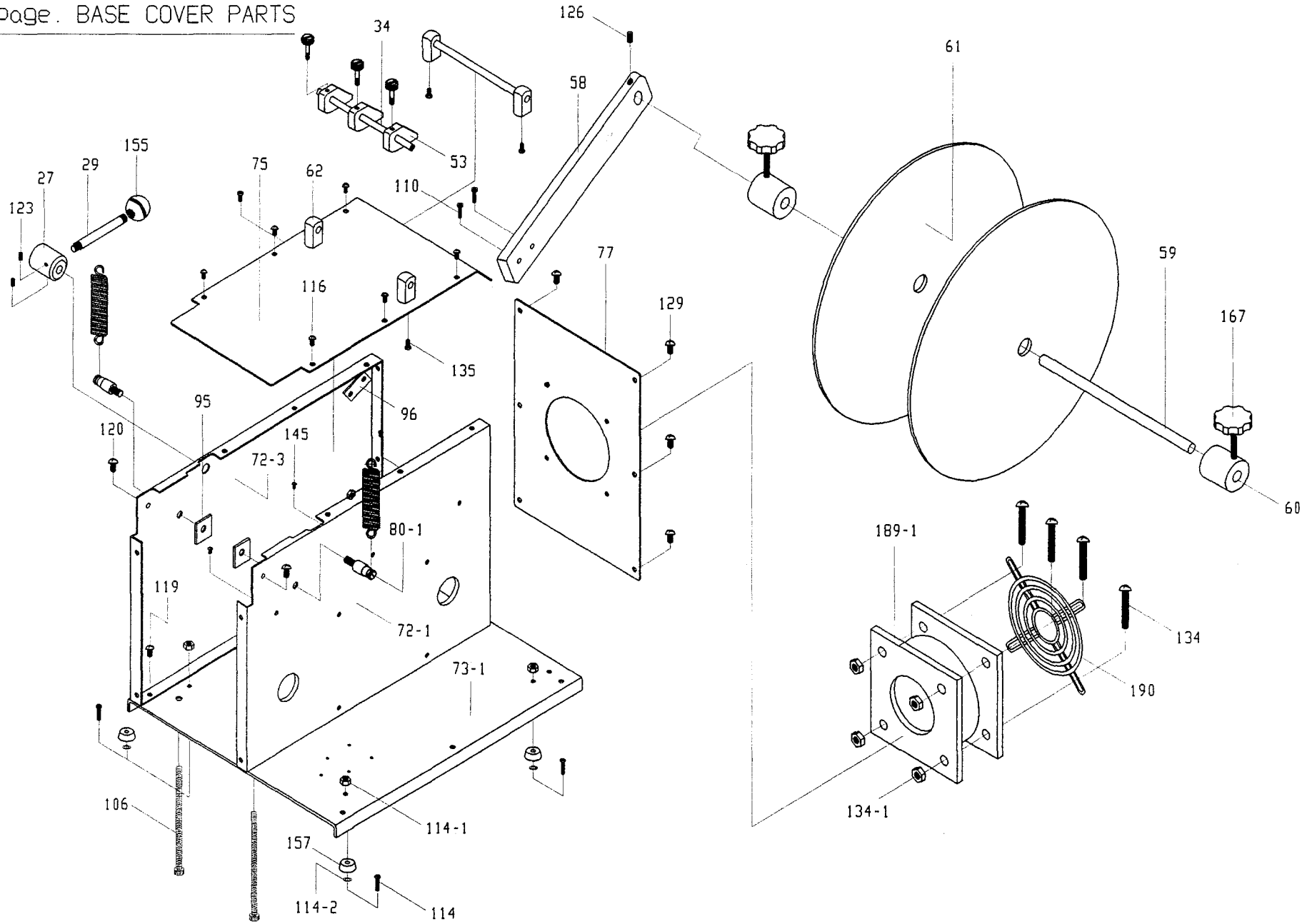
1 Page. BED / SLIDER PARTS



2 Page. ROLLER PARTS



3 page. BASE COVER PARTS



4. Page CONTROL BOX PARTS

